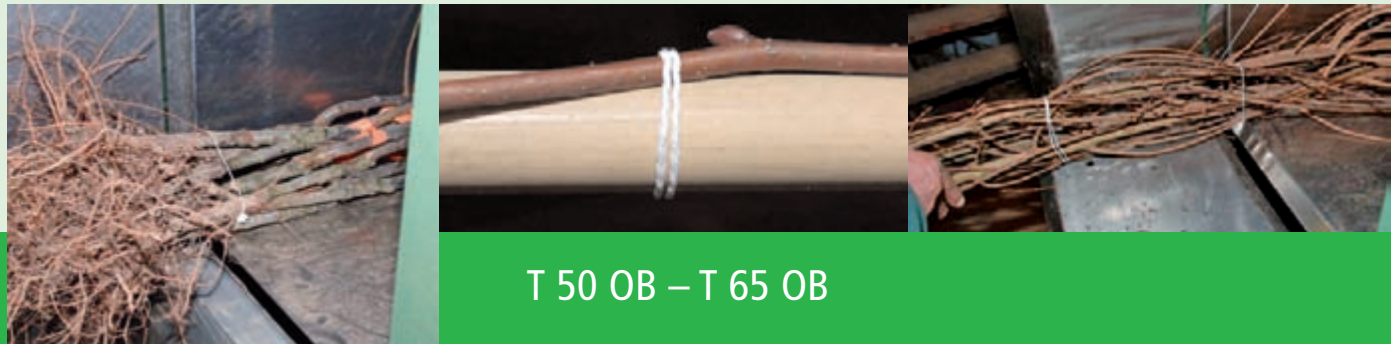


The simple, safe and efficient way to bundle fruit trees, boulevard trees, shrubs, understocks and cuttings.

There are hardly any limitations for our string tying machines as they are made for binding most nursery products.



T 50 OB – T 65 OB



Choose the Original  
Choose Success!



Choose the Original  
Choose Success!



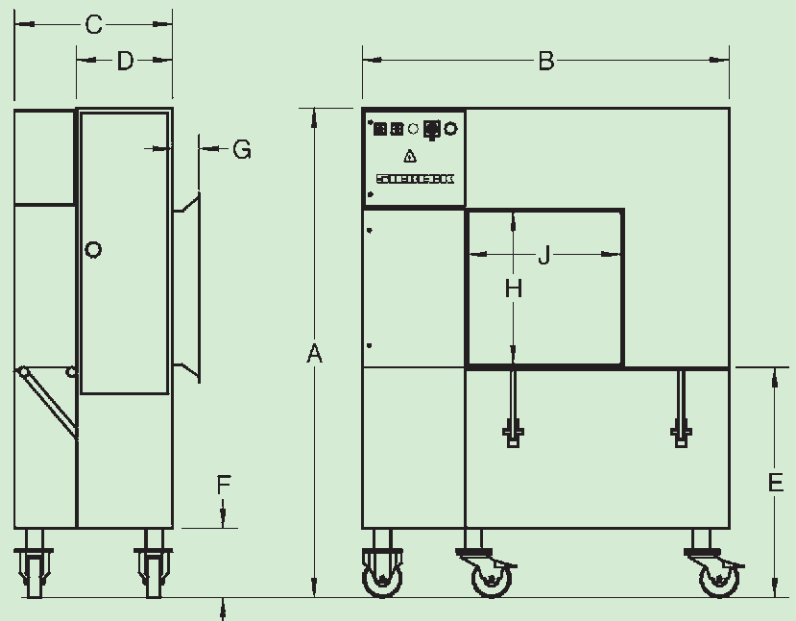
## T 50 OB – T 65 OB – BUNDLING MACHINES FOR TREE NURSERIES

### TECHNICAL DETAILS

- Developed especially for nurseries
- Reliable and quick – yet careful bundling of sensitive products
- Lateral knotting unit – minimal risk of knotting unit being soiled during operation
- User-friendly construction – fold-away table allows machine to be used with products of different sizes
- Works likewise efficiently with elastic and non-elastic twines
- Continuously adjustable twine tension
- Versatile in application (Fruit trees, boulevard trees, shrubs, trunked bushes, understocks, cuttings)
- Robust three phase drive: designed for industrial use
- Equipped with the renowned knotting unit JET 2000
- Permits single, double, triple, quadruple string tying
- High performance: up to 42 ties per minute
- PLC controlled
- Constructed in line with EU-regulations: CE compliant

Electrical connection load: 230/400 Volt 3-phase + ground / 50 Hz / 1,4 k

Sound pressure level: 70 dB (A)



All dimensions in mm; specifications are subject to change without notice

Model	A	B	C	D	E	F	G	H	J	Weight kg	Cycles p. min single tying
T 50 OB	1.710	1.220	660	400	855	190	110	500	500	260	42
T 65 OB	1.940	1.530	660	400	860	190	110	650	650	290	40

Other product passages on request